

Data sheet

High capacity Fishbone Plate Heat Exchanger SL222

Description



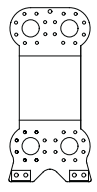
Fishbone Plate Heat Exchangers - are designed with the focus on medium and high capacity applications in the areas of:

- air conditioning,
- HVAC,
- solar heating,
- heat recovery or
- any other application with a heat transfer between single phase liquids.

Approval:
Pressure Equipment Directive (PED).

Ordering

1-pass heat exchanger **SL222-SB**

Picture	No. of plates (n)	Code No.
	40	079U3833
	50	079U3834
	60	079U3835
	70	079U3836
	80	079U3837
	90	079U3838
	100	079U3839
	110	079U3840
	120	079U3841
	140	079U3843
	160	079U3845
	180	079U3847
	200	079U3849

Notes:
Brackets are part of the frame design.

Accessories - **Insulation SL222 MW**

Mineral wool with metal sheet cover (MW)	
Type coverage (plate number)	Code No.
TL	
40 - 70	079U1030
71 - 110	079U1031
111 - 150	079U1032
151 - 200	079U1033

Accessories - **Insulation SL222 PU**

Mineral wool with metal sheet cover (PU)	
Type coverage (plate number)	Code No.
TL	
40 - 70	079U1037
71 - 110	079U1038
111 - 150	079U1039
151 - 200	079U1040

Technical data

Heat exchanger **SL222**

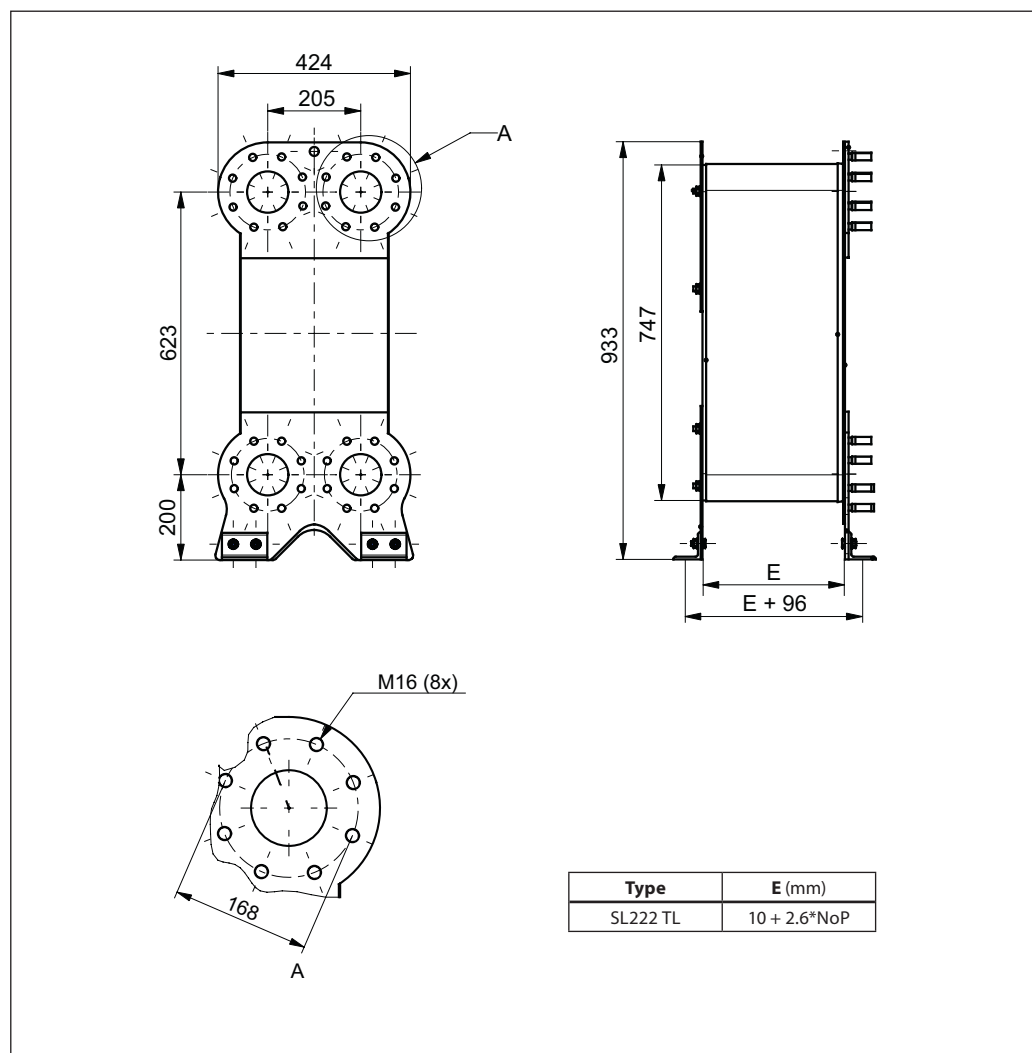
Type		SL222 TL
Max working pressure	bar	25
Min. / Max. temperature	°C	-196 / 225
Flow medium		DH: Circulation water / glycolic water up to 50% DC: ethylene-, propylene-glycolic water, ethanol-water solutions and other suitable heat transfer media. (Please contact your Danfoss representative for different medium.)
Volume / Channel	Ltr	0.56
Connections		Standard flange DN80 - Stud Bolt M16 ISO13918
Weight 1-pass	kg	43.7 + 0.85*NoP
Materials		
Plate material		Stainless steel, mat. no. 1.4404 (316L)
Brazing		Copper

Insulation

Type		Mineral wool shell with metal sheet cover (MW)	Polyurethane shell with metal sheet cover (PU)
Wall thickness	mm	65	65
Heat conductivity λ	W/mK	0.039	0.024
Max. temp.	Permanent	150	110
	Short term peak	180	130
Surface finish		Aluminium sheet cover	Aluminium sheet cover

Note:
For more details about insulation please contact your local sales representative.

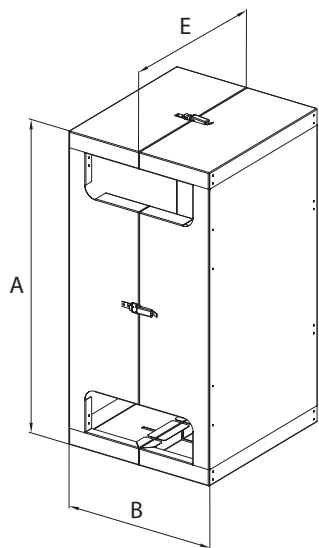
Dimensions



Note:
Dimensions only to be used for your reference and not to be used for engineering or construction purposes.

Dimensions (continuous)

Insulation



Type	A	B	E	Code No.
	mm			
MW	973	565	469	079U1030
			584	079U1031
			701	079U1032
			846	079U1033
PU	973	565	469	079U1037
			584	079U1038
			701	079U1039
			846	079U1040

Note:
Insulation can be used for 2 and M pass HEX.

PU and MW - insulation



Danfoss A/S

Climate Solutions • danfoss.com • +45 7488 2222

Any information, including, but not limited to information on selection of product, its application or use, product design, weight, dimensions, capacity or any other technical data in product manuals, catalogues descriptions, advertisements, etc. and whether made available in writing, orally, electronically, online or via download, shall be considered informative, and is only binding if and to the extent, explicit reference is made in a quotation or order confirmation. Danfoss cannot accept any responsibility for possible errors in catalogues, brochures, videos and other material. Danfoss reserves the right to alter its products without notice. This also applies to products ordered but not delivered provided that such alterations can be made without changes to form, fit or function of the product.

All trademarks in this material are property of Danfoss A/S or Danfoss group companies. Danfoss and the Danfoss logo are trademarks of Danfoss A/S. All rights reserved.