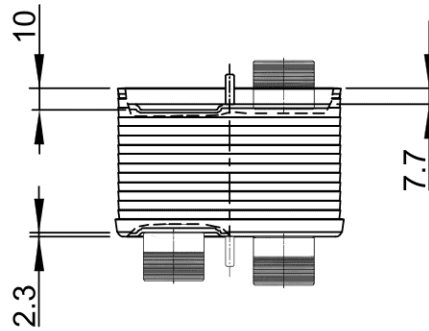
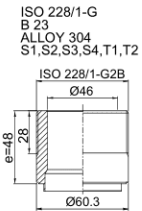
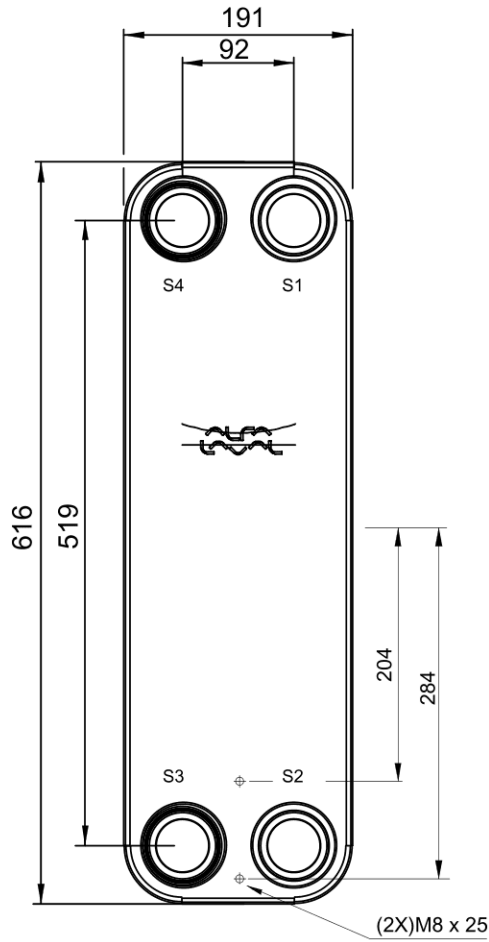
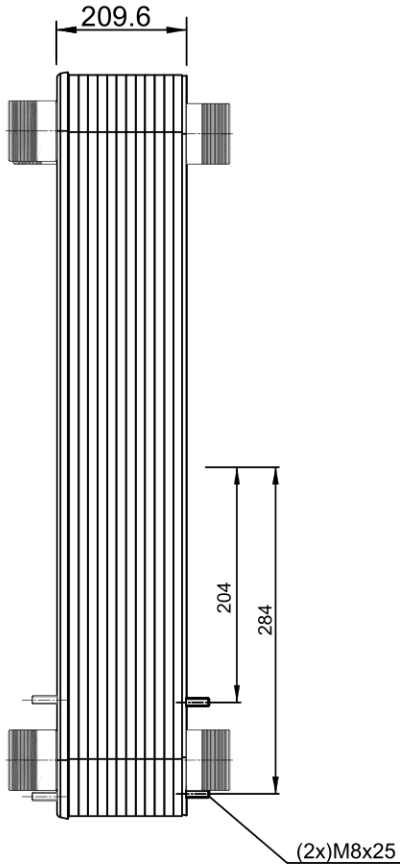


Note that all unique customer requirements (i.e tolerance) need to be verified thru Alfa Laval.



HEATING SURFACE m<sup>2</sup>  
 NETWEIGHT 33.6 kg  
 OPERATING WEIGHT kg  
 PLATE MATERIAL ALLOY 316  
 PLATE GROUPING 1\*37ML/1\*38MH

ALL DIMENSIONS IN MILLIMETERS

SIDE	MEDIA	INLET	TEMP. °C	OUTLET	TEMP. °C	FLOW RATE	PRESSURE DROP	LIQUID VOL.
1	Water	S1	°C	S2	°C	kg/h	kPa	8.0 dm <sup>3</sup>
2	Water	S3	°C	S4	°C	kg/h	kPa	7.8 dm <sup>3</sup>

PRESSURE VESSEL APPROVAL PED

CB110-76M-F (3287184478)

www.alfalaval.com

CUSTOMER NAME / REF. NO.

COMPANY / REF.

TOTAL LENGTH 296 mm  
 TOTAL WIDTH 191 mm  
 TOTAL HEIGHT 616 mm



6/4/2023  
 REV 0