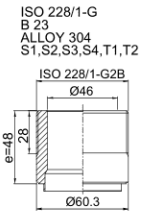
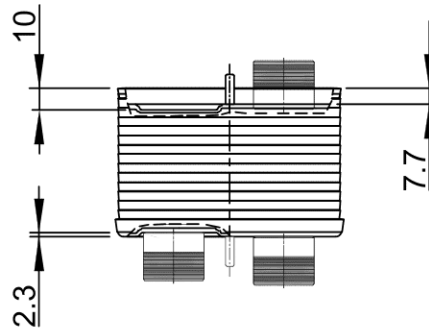
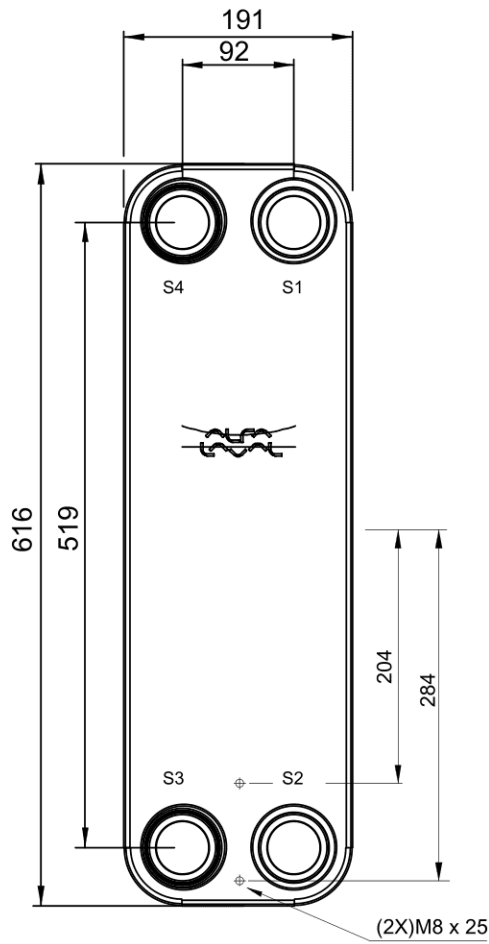
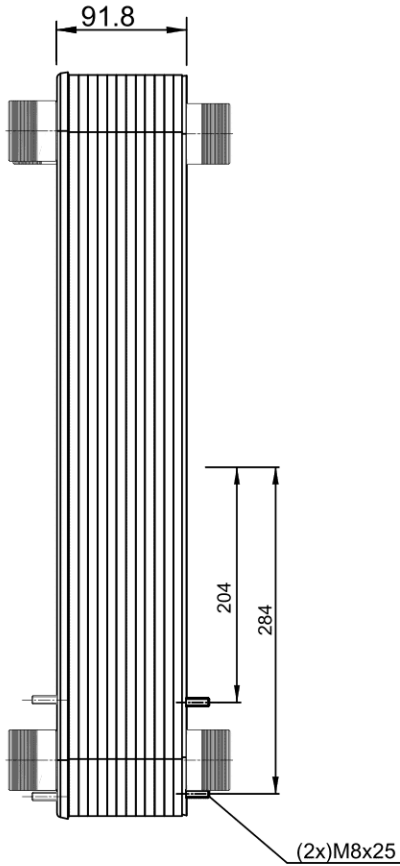


Note that all unique customer requirements (i.e tolerance) need to be verified thru Alfa Laval.



HEATING SURFACE m²
 NETWEIGHT 17.6 kg
 OPERATING WEIGHT kg
 PLATE MATERIAL ALLOY 316
 PLATE GROUPING 1*14L/1*15L

ALL DIMENSIONS IN MILLIMETERS

SIDE	MEDIA	INLET	TEMP. °C	OUTLET	TEMP. °C	FLOW RATE	PRESSURE DROP	LIQUID VOL.
1	Water	S1	°C	S2	°C	kg/h	kPa	3.2 dm ³
2	Water	S3	°C	S4	°C	kg/h	kPa	2.9 dm ³

PRESSURE VESSEL APPROVAL

PED

CB110-30L-F (3287184144)

www.alfalaval.com

CUSTOMER NAME / REF. NO.

COMPANY / REF.

TOTAL LENGTH 178 mm
 TOTAL WIDTH 191 mm
 TOTAL HEIGHT 616 mm



6/4/2023
 REV 0