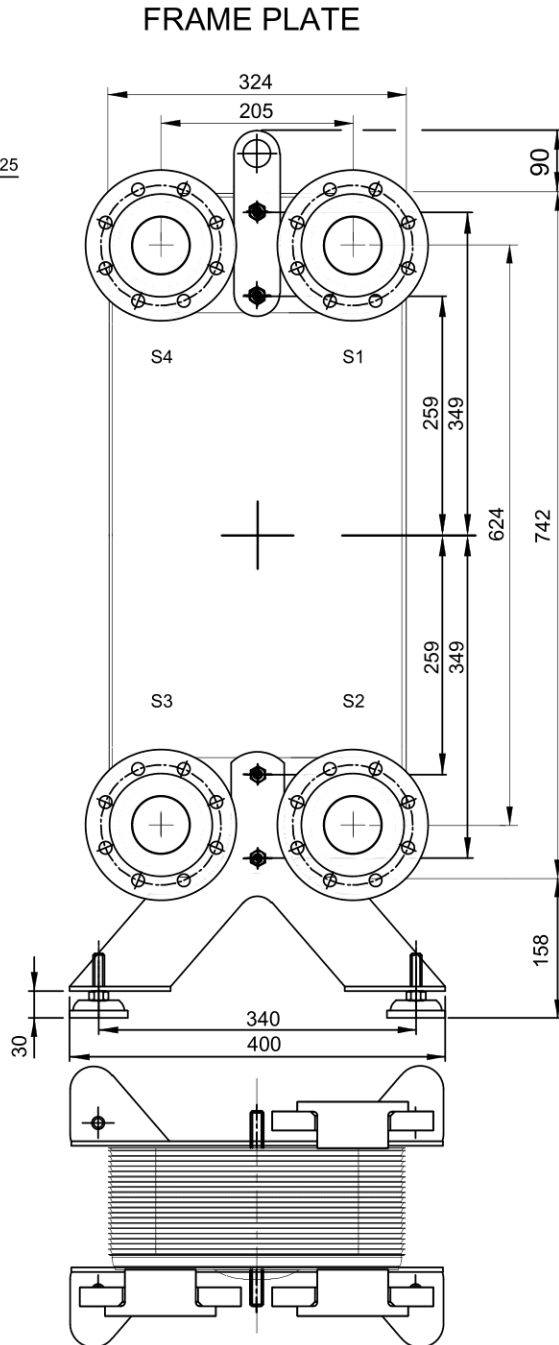
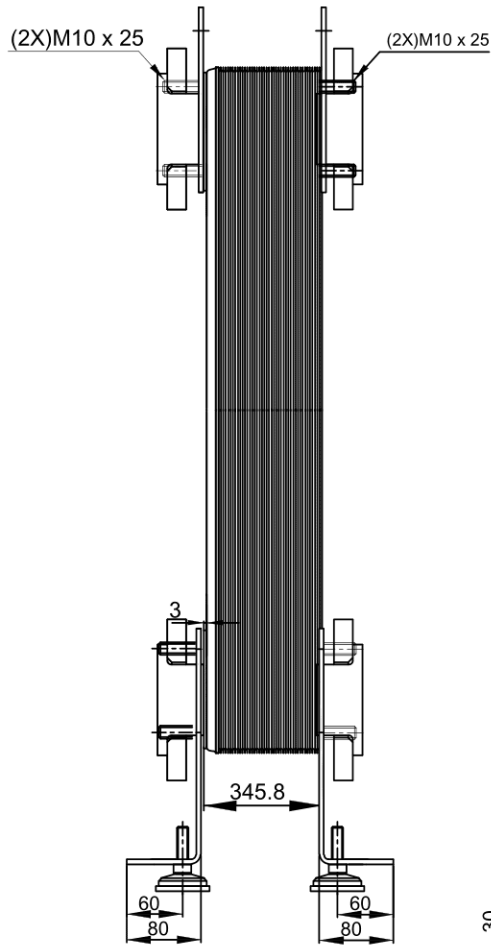
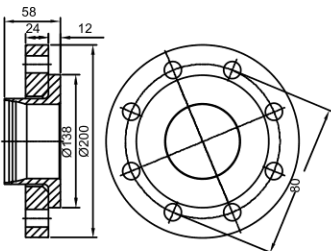


HEATING INSULATION INCLUDED

Thickness: 45 mm



LFS DN80
ALLOY 304
S1,S2,S3,S4,T1,T2



HEATING SURFACE m²
NETWEIGHT 122.2 kg
OPERATING WEIGHT kg
PLATE MATERIAL ALLOY 316
PLATE GROUPING 1*61ML/1*62MH

T1 T2 T3 T4 locations on back side correspond to S1 S2 S3 S4 on front side

ALL DIMENSIONS IN MILLIMETERS

SIDE	MEDIA	INLET	TEMP. °C	OUTLET	TEMP. °C	FLOW RATE	PRESSURE DROP	LIQUID VOL.
1	Water	S1	°C	S2	°C	kg/h	kPa	31.6 dm ³
2	Water	S3	°C	S4	°C	kg/h	kPa	31.1 dm ³

Note that all unique customer requirements (i.e tolerance) need to be verified thru Alfa Laval.

PRESSURE VESSEL APPROVAL

PED/UK

CB200-124M-F (3287184051)

www.alfalaval.com

CUSTOMER NAME / REF. NO.

COMPANY / REF.

TOTAL LENGTH 601 mm
TOTAL WIDTH 324 mm
TOTAL HEIGHT 990 mm



6/4/2023
REV 0