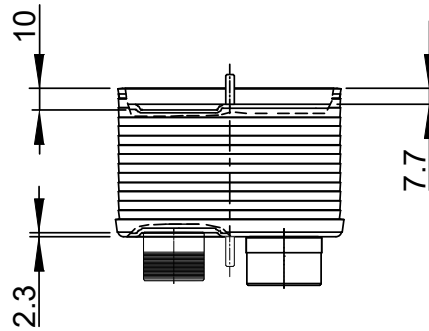
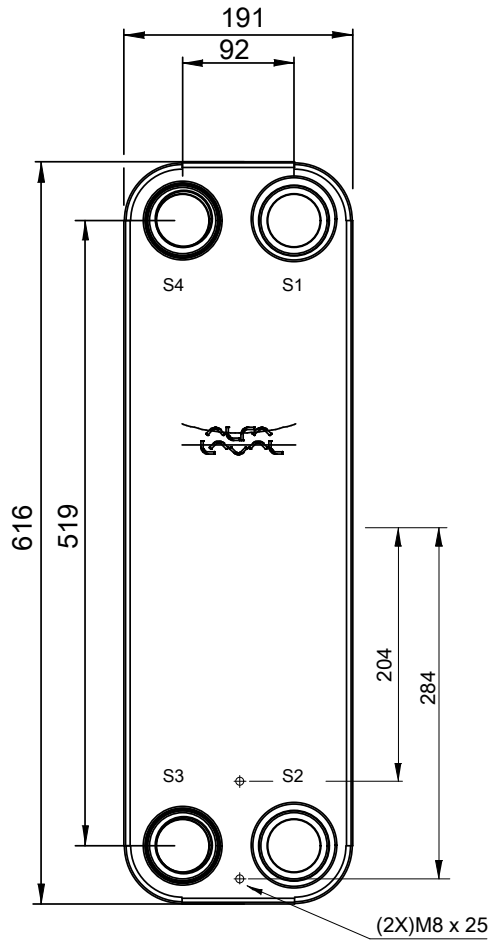
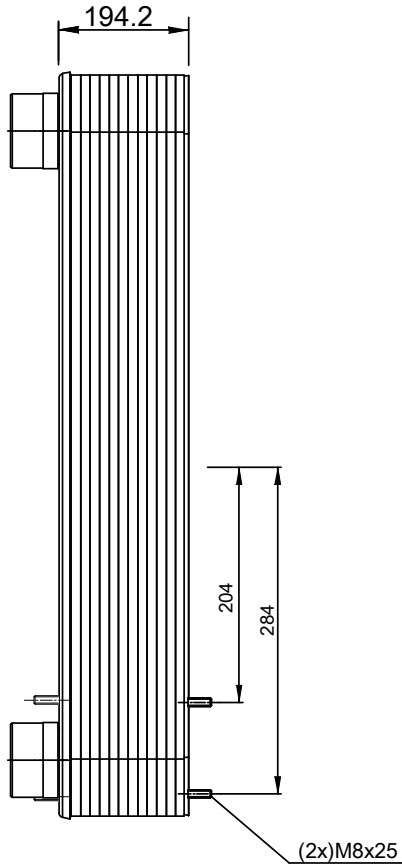
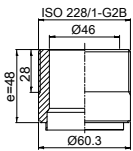


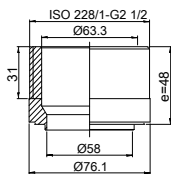
Note that all unique customer requirements (i.e tolerance) need to be verified thru Alfa Laval.



B 23
Alloy 316
S3,S4



O 4
Alloy 316
S1,S2



HEATING SURFACE
NETWEIGHT 31.2 kg
OPERATING WEIGHT
PLATE MATERIAL Alloy 316
PLATE GROUPING 1*34ML/1*35MH

ALL DIMENSIONS IN MILLIMETERS

SIDE	MEDIA	INLET	TEMP.	OUTLET	TEMP.	FLOW RATE	PRESSURE DROP	LIQUID VOL.
1								7.14 dm ³
2								7.35 dm ³

PRESSURE VESSEL APPROVAL

PED

CB110-70M (3287101750)

www.alfalaval.com

CUSTOMER NAME / REF. NO.

TOTAL LENGTH 257.2 mm
TOTAL WIDTH 191.0 mm
TOTAL HEIGHT 616.0 mm

COMPANY / REF.



8/30/2021
REV 0