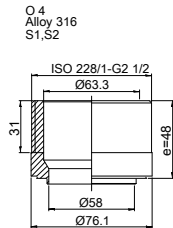
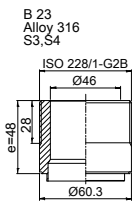
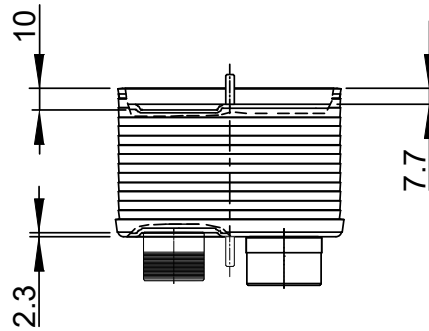
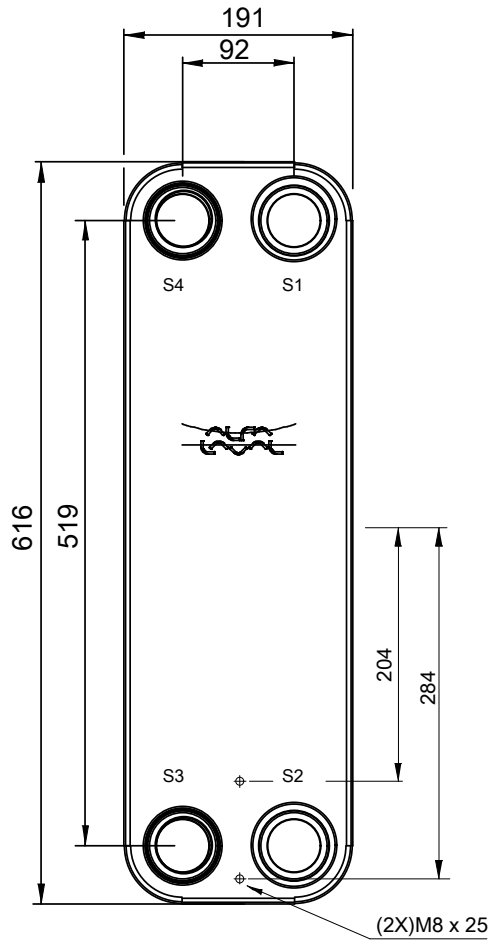
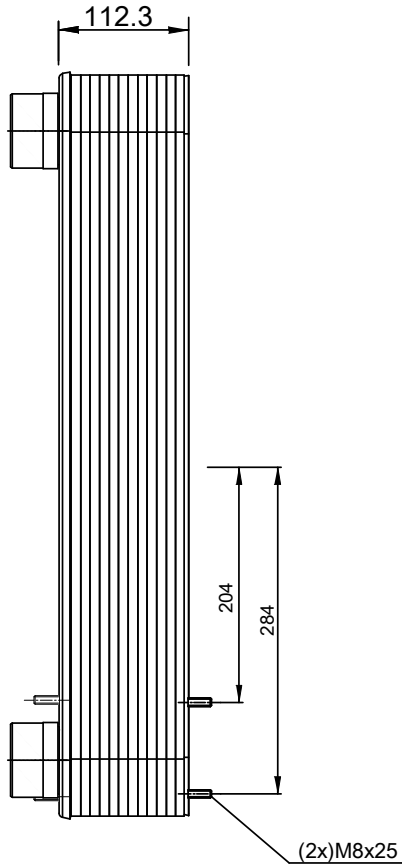


Note that all unique customer requirements (i.e tolerance) need to be verified thru Alfa Laval.



HEATING SURFACE
 NETWEIGHT 20.0 kg
 OPERATING WEIGHT
 PLATE MATERIAL Alloy 316
 PLATE GROUPING 1*18ML/1*19MH

ALL DIMENSIONS IN MILLIMETERS

SIDE	MEDIA	INLET	TEMP.	OUTLET	TEMP.	FLOW RATE	PRESSURE DROP	LIQUID VOL.
1								3.78 dm ³
2								3.99 dm ³

PRESSURE VESSEL APPROVAL

PED

CB110-38M (3287101748)

www.alfalaval.com

CUSTOMER NAME / REF. NO.

TOTAL LENGTH 175.3 mm
 TOTAL WIDTH 191.0 mm
 TOTAL HEIGHT 616.0 mm

COMPANY / REF.



8/30/2021
 REV 0