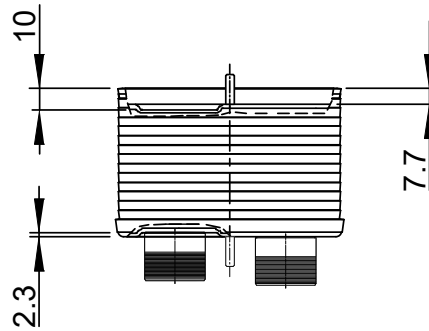
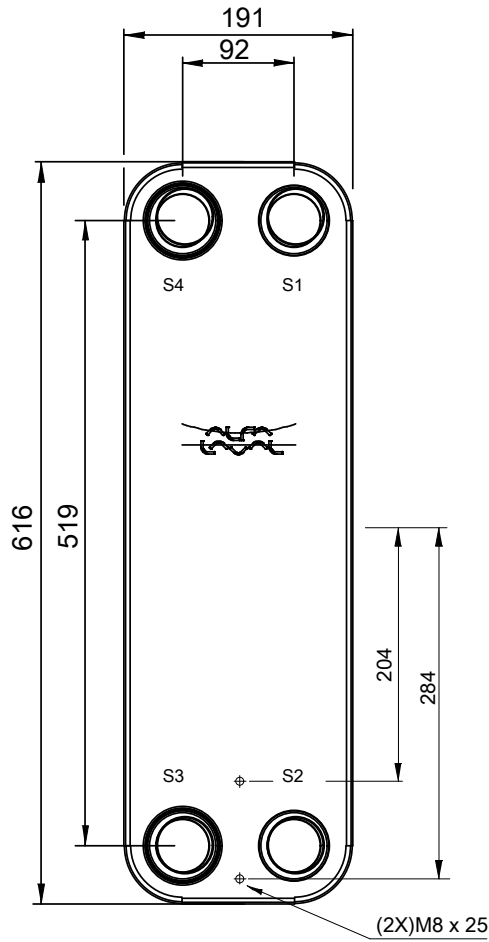
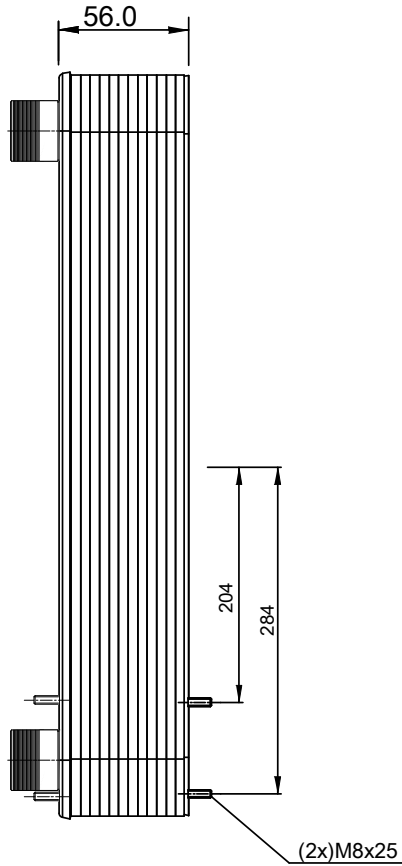
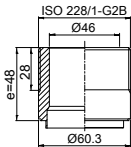


Note that all unique customer requirements (i.e tolerance) need to be verified thru Alfa Laval.



B 23
Alloy 316
S1,S2,S3,S4



HEATING SURFACE
NETWEIGHT 12.1 kg
OPERATING WEIGHT
PLATE MATERIAL Alloy 316
PLATE GROUPING 1*7H/1*8H

ALL DIMENSIONS IN MILLIMETERS

SIDE	MEDIA	INLET	TEMP.	OUTLET	TEMP.	FLOW RATE	PRESSURE DROP	LIQUID VOL.
1								1.47 dm ³
2								1.68 dm ³

PRESSURE VESSEL APPROVAL

PED

CB110-16H (3287101553)

www.alfalaval.com

CUSTOMER NAME / REF. NO.

COMPANY / REF.

TOTAL LENGTH 119.0 mm
TOTAL WIDTH 191.0 mm
TOTAL HEIGHT 616.0 mm



6/28/2021
REV 0