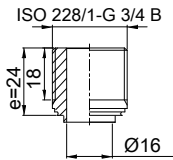
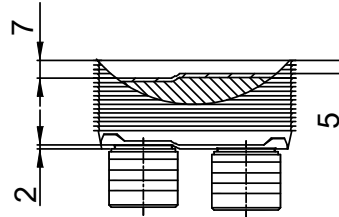
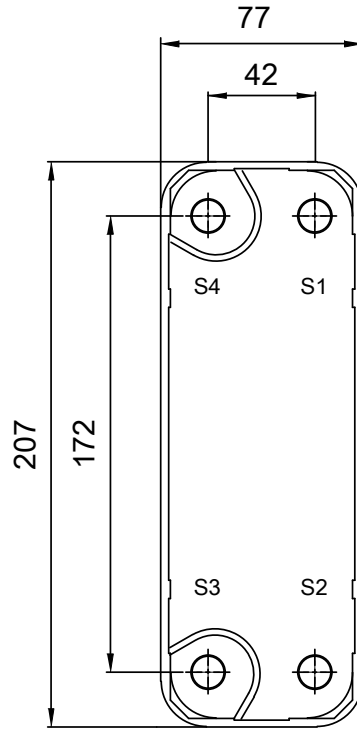
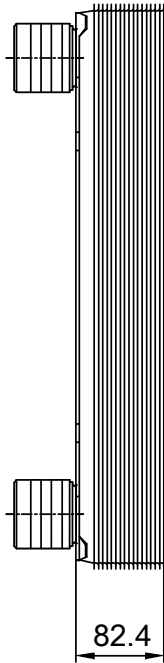


Note that all unique customer requirements (i.e tolerance) need to be verified thru Alfa Laval.



A 21  
Alloy 316  
S1,S2,S3,S4



Frameplate is depressed 2 mm at connection S3/S4  
 Pressureplate is depressed 2 mm / even number of channel plates  
 at connections T3/T4 / uneven number of channel plates at  
 connections T1/T2.

HEATING SURFACE  
 NETWEIGHT 2.58 kg  
 OPERATING WEIGHT  
 PLATE MATERIAL Alloy 316  
 PLATE GROUPING 1\*14H/1\*15H

ALL DIMENSIONS IN MILLIMETERS

SIDE	MEDIA	INLET	TEMP.	OUTLET	TEMP.	FLOW RATE	PRESSURE DROP	LIQUID VOL.
1								0.28 dm <sup>3</sup>
2								0.3 dm <sup>3</sup>

PRESSURE VESSEL APPROVAL

PED

AlfaNova 14-30H (3287050663)

[www.alfalaval.com](http://www.alfalaval.com)

CUSTOMER NAME / REF. NO.

TOTAL LENGTH 106.4 mm  
 TOTAL WIDTH 77.0 mm  
 TOTAL HEIGHT 207.0 mm

COMPANY / REF.

8/6/2021  
 REV 0