

DESIGN DATA

DESIGN ACC. TO	AD 2000 - Merkblatt / PED 97/23/EG
MEDIUM	-
CATEGORY	SEP
OPERATING DATA	HOT SIDE COLD SIDE
PRODUCT	-
TEST PRESSURE (AD2000 / PED)	- / -
MIN. / MAX. ALL. PRESSURE (PS)	- / -
MIN. / MAX. ALL. TEMPERATURE (TS)	- / -
CONTENT (V)	-
HE-SURFACE	m <sup>2</sup>
WEIGHT NETTO	kg
INLET TEMPERATURE	°C
OUTLET TEMPERATURE	°C

LENGTH OF PACK	a <sub>max</sub> =L1
LENGTH OF CARRY BAR	a <sub>min</sub> =L1 b=L

NOZZLE CONNECTIONS

POS	DIR	MEDIA	TYPE	DN
F1	IN	HOT SIDE	-	32
F2	OUT	COLD SIDE	-	32
F3	IN	COLD SIDE	-	32
F4	OUT	HOT SIDE	-	32

REFERENCE DRAWINGS & DOCUMENTS

DESCRIPTION	ARES PHE DRAWING
DETAILS	A1S-10010-02
CALCULATION	A1S-10010-00-CAL

GENERAL NOTES

- ALL DIMENSIONS ARE IN mm UNLESS OTHERWISE STATED
- FLANGE BOLTHOLES STRADDLE CENTERLINES
- NOZZLE FLANGE FACES SMOOTH FINISH 3.2-6.4 um Ra
- ROUGHNESS OF GASKETS SURFACE SHALL BE Ra 3.2...6.3 um MAX. UNLESS NOTED OTHERWISE

REV	DATE	NAME	DESCRIPTION
0	27-03-15	HE	FOR APPROVAL

Item	qty	description	dimensions	material	remarks	cert
19	4	NOZZLE CONNECTION	-	-	-	3.1
18	1	ANGLE	L40x40x5 L=32	S235JR	-	-
17	1	ANGLE	L40x40x5 L=32	S235JR	-	-
16	2	CARRY/GUIDE BAR	Ø12	S235JR	-	-
15	1	FOLLOWER ENDPLATE	464x190x15	S355J2G3	-	3.1
14	1	HEAD ENDPLATE	473x190x20	S355J2G3	-	3.1
13	2	FLAT WASHER	M8	CS	-	-
12	2	NUT	M8	8	-	-
11	2	WEDGE ANCH. BOLT	M8 L=50	8.8	-	-
10	1	GASKET	-	-	-	-
9	1	HE PLATE	-	-	-	-
8	4	RIVET	Ø2.4 L=8	SS	-	3.1
7	1	NAMEPLATE ARES	140x100x3	SS	-	-
6	4	WASHER	M8	CS	-	-
5	2	HEX NUT	M8	8	-	-
4	2	BOLT	M8x45	8.8	-	-
3	8	WASHER	M12	CS	-	-
2	8	HEX NUT	M12	8	-	-
1	4	DOUBLE-END STUD	M12	8.8	-	3.1

Designed by	Date/Approved by	Date/Rev. no.	Revision Text	Format	Scale
HITARD	A. YABALI	0	FOR APPROVAL	A1	1:2.5-VAR.

Description:	
PHE MODEL: A1S PN10 L=100 ± 500 MM	GENERAL ARRANGEMENT
Rev. date	Rev. by
18-06-14	HE
Rev. date	Drawing no.
18-06-14	A1S-10010-01

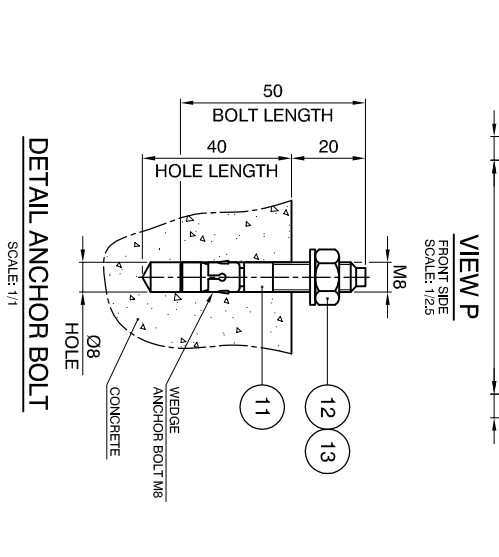
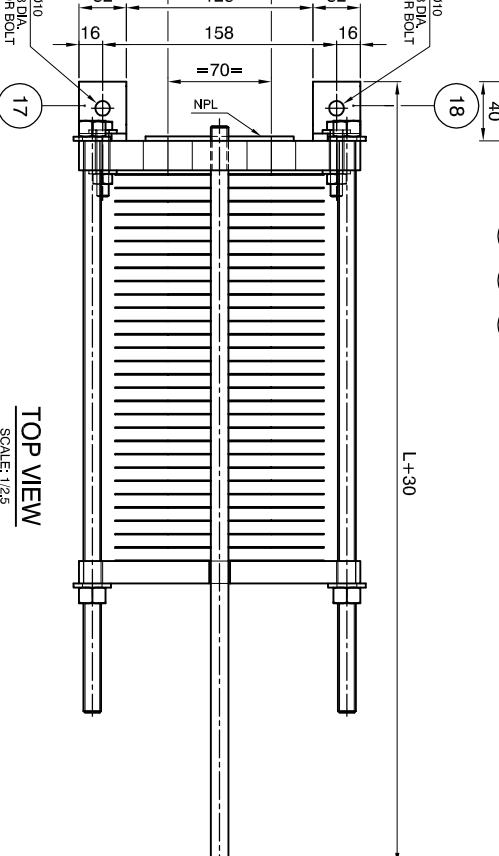
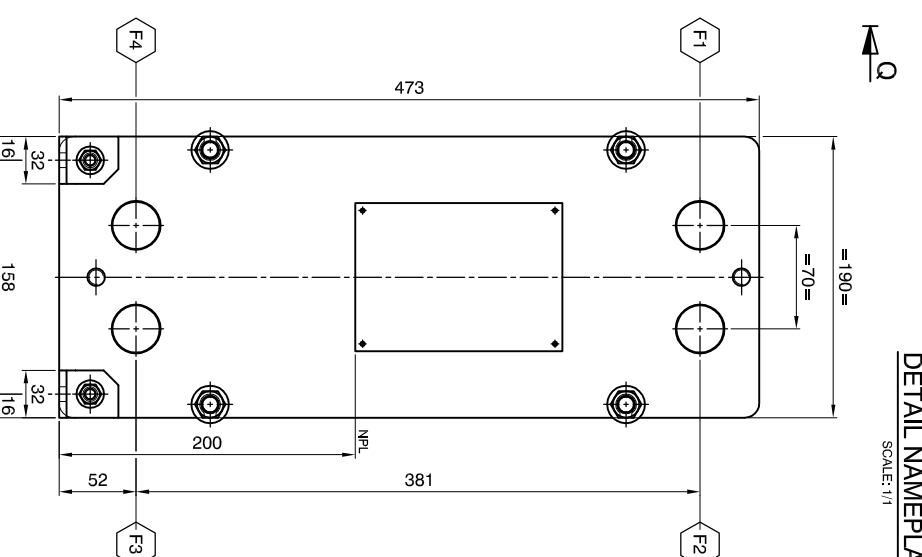
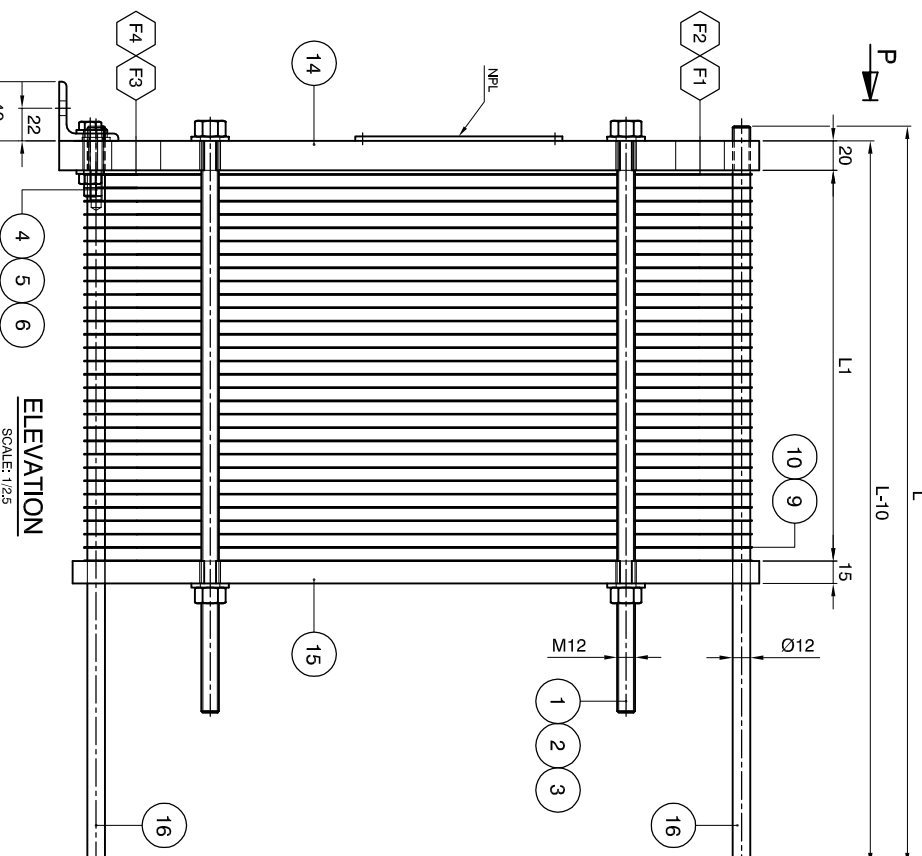
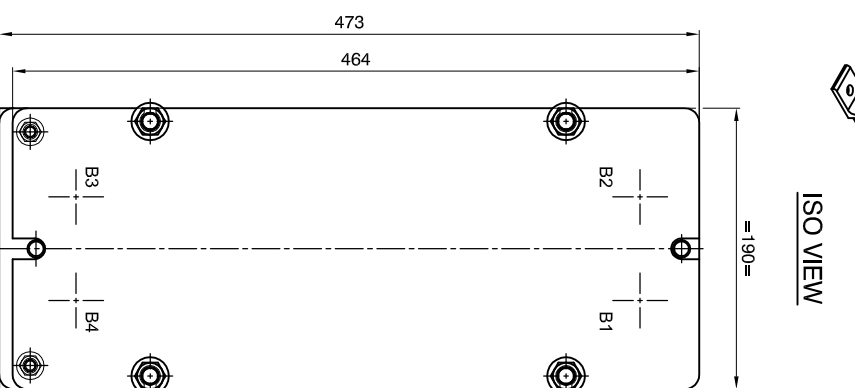
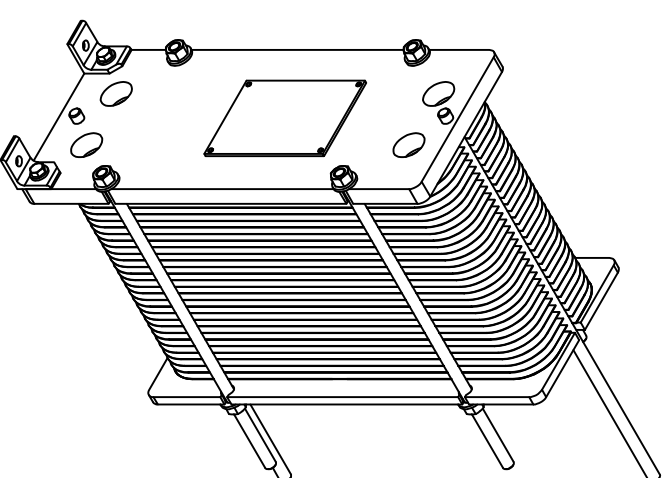
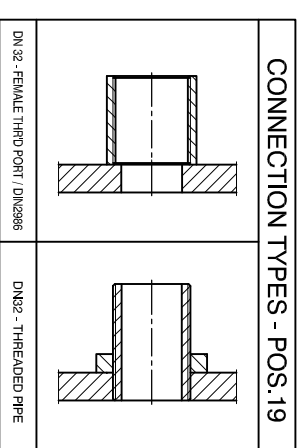
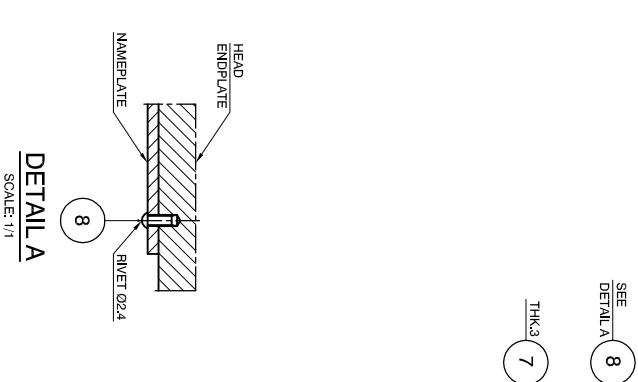
TOL	ISO projection
-----	----------------

ARES PHE

PLATE HEAT EXCHANGER TYPE	[A1S-P10]	YEAR	-
MANUFACTURING NO.	-		
NO. OF PLATES	-		
MAX. WORKING PRESSURE	-	bar	
TESTING PRESSURE	-	bar	
MAX. WORKING TEMPERATURE	-	°C	
MIN. ASSEMBLING MEASURE	-	mm	
LIQUID VOLUME	-	LT	
DRY WEIGHT	-	kg	

**IMPORTANT:**  
1. The plate heat exchanger must not be assembled under the stated minimum temperature.  
2. Shipping must be done without shocks and against closed valves.

[www.aresphe.com](http://www.aresphe.com)



MAX. ALLOWABLE FORCES AND MOMENTS ON NOZZLES

NOZZLE	Forces (N)			Moments (Nm)		
	Longitud. Fy	Circum. Fx	Axial Fz	Longitud. Mx	Circum. My	Torsional Mz
F1/F2/F3/F4	109	109	109	13	13	13

NOZZLE LOADS ACCORDING TO AP662, TABLE 1

FOUNDATION LOADS	
FRONT SIDE (N)	REAR SIDE (N)
437.4	200.0
DEAD LOAD (DU)	
1160.8	488.2
OPERATING LOAD (DL+NOZZLE LOAD)	

ARES PHE

Rev. date	Rev. by	Drawing no.	Sheet
18-06-14	HE	A1S-10010-01	1 OF 1