



# B10T

## COMPACT BRAZED HEAT EXCHANGER

### Experience the true original: the B-type

The flexible B10T offers efficient heat exchange solutions across a wide capacity interval, and is quick and simple to adapt for a number of applications. The product's flexibility and excellent heat transfer make it ideal for demanding cooling applications and as a condenser in two-phase applications.

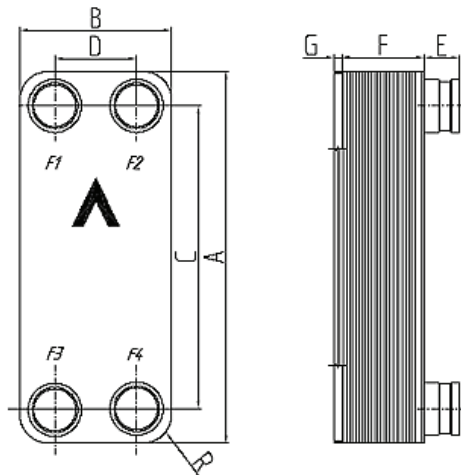
### Easy to choose the right product solution

With SWEP's unique SSP CBE, the SWEP Software Package, you can do advanced heat transfer calculations yourself, and choose the product solution that suits your application best. It's also easy to choose connections and generate drawings of the complete product. If you would like advice, or you would like to discuss different product solutions, SWEP offers all the service and support your need.

### THIRD-PARTY APPROVALS (selection)

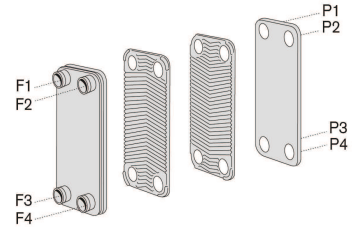
Europe, Pressure Equipment Directive (PED 97/23/EC)

For additional information please contact your local SWEP representative. SWEP reserves the right to make changes without prior notice.



Measurements(mm)		Tolerance
A	289	+2 /-2
B	119	+1 /-1
C	243	+1 /-1
D	72	+1 /-1
E	20.1 (opt. 45.1)	+1 /-1
F	4+2.24xNP	+0.5% /-1.5%
G	6	+1 /-1
R	22	

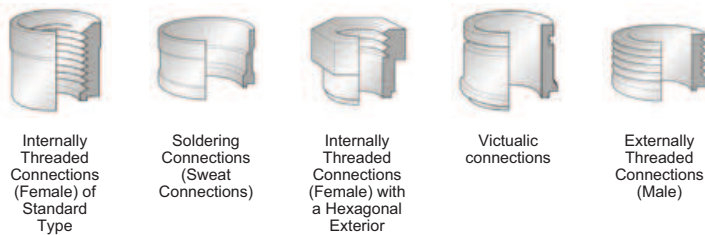
Port size F/P: 24mm



CBE port denomination

### STANDARD CONNECTIONS

For specific dimensions, or information about other types of connections, please contact your SWEP sales representative.



### TECHNICAL DATA

Max working pressure at 155°C

Max working pressure at 225°C

Test pressure:  
Min temperature:  
Max temperature:  
Max number of plates (NoP)  
CBE weight

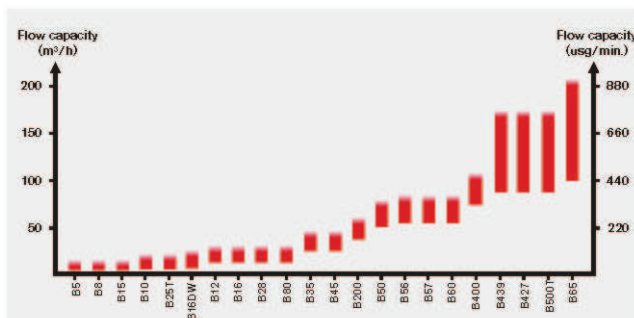
Hold-up volume: inner circuit

Plate material:

Brazing material:  
Standard connection material

Inner circuit: 31 bar (450psi)  
Outer circuit: 31 bar (450psi)  
Inner circuit: 27 bar (392psi)  
Outer circuit: 27 bar (392psi)  
50 bar (725psi)  
-196°C (-321F)  
225°C (437F)  
140  
1.387+NoPx0.096kg  
(3.1+NoPx0.2lbs)  
(NoP/2-1)x0.061 litres  
(NoP/2-1)x0.002 gal.)  
Parts in contact with fluid:  
AISI 316  
Parts not in contact with fluid:  
AISI 304  
Pure Copper  
AISI 316

### CAPACITY GRAPH



### MATERIAL DISCLAIMER

The information and recommendations in regards to the products are presented in good faith, however, SWEP makes no representations or warranties as to the completeness or accuracy of the information. Information is supplied upon the condition that the purchasers will make their own determination as to the products' suitability for their purposes prior to use. Purchasers should note that the properties of the products are both application and material selection dependent and that products containing stainless steel, both 316 and 304 families, are still subject to corrosion if used in unsuitable environments. Purchasers should also be advised that stainless steel from the 304 family can be more sensitive in regards to corrosion than stainless steel from the 316 family. By purchasing products displayed here upon SWEP disclaims all responsibility due to corrosion of the products and/or other materials attached to the products and also for any damages resulting from the use of the products.



SWEP INTERNATIONAL AB

Box 105, SE-261 22 Landskrona, Sweden  
Phone +46 418 40 04 00  
Fax +46 418 292 95  
Internet: www.swep.net  
E-mail: info@swep.net